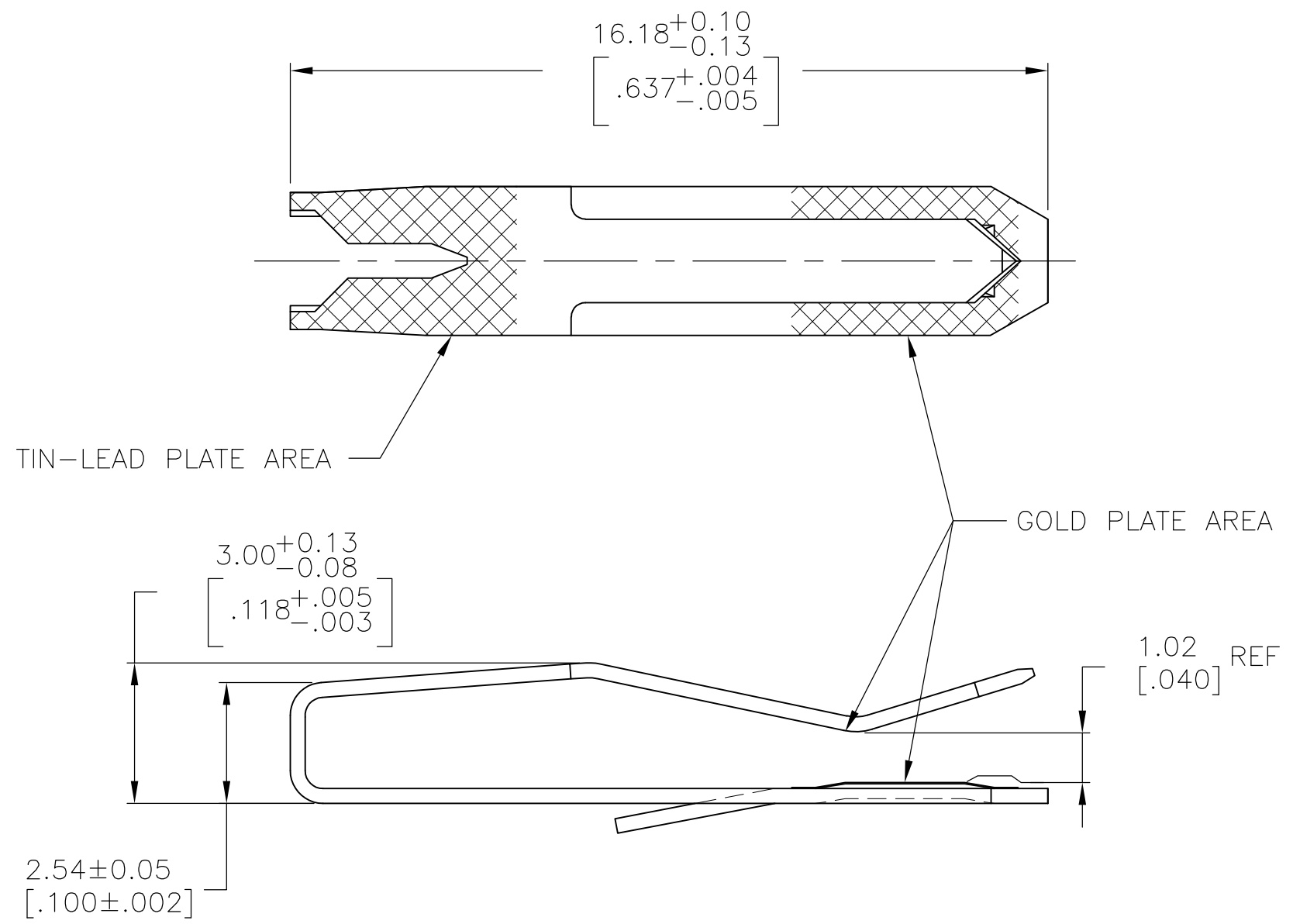


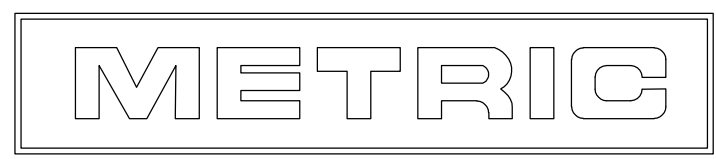
THIS DRAWING IS UNPUBLISHED. RELEASED FOR PUBLICATION
 © COPYRIGHT - By - ALL RIGHTS RESERVED.

LOC	DIST	REVISIONS			
P	LTR	DESCRIPTION	DATE	DWN	APVD
CM	00	C1	REVISED PER ECO-11-014117	13JUL11	HMR SM



- DIMENSIONS IN BRACKETS ARE IN INCHES.
- 0.00038 [.000015] MIN THICK GOLD IN THE GOLD PLATE AREA OVER 0.00127 [.000050] MIN THICK NICKEL.
- 0.00076 [.000030] MIN THICK GOLD IN THE GOLD PLATE AREA OVER 0.00127 [.000050] MIN THICK NICKEL.
- 0.00203 [.000080] MIN THICK TIN-LEAD IN THE TIN-LEAD PLATE AREA OVER 0.00127 [.000050] MIN THICK NICKEL.
- MATTE TIN 0.00203(.000080) MIN THICK IN TIN PLATED AREA

OBSOLETE		641143-4
		641143-3
		641143-2
		641143-1
	FINISH	PART NO



THIS DRAWING IS A CONTROLLED DOCUMENT.		DWN BSV 25OCT2005	STE TE Connectivity	
DIMENSIONS: mm [INCHES]		CHK D. BOSSI 25OCT2005		
TOLERANCES UNLESS OTHERWISE SPECIFIED:		APVD D. BOSSI 25OCT2005	NAME CONTACT, GOLD STRIPE, 18 AWG WIRE, LOOSE PIECE, MTA 156	
0 PLC ± -		PRODUCT SPEC -	SIZE A3	
1 PLC ± -		APPLICATION SPEC -	CAGE CODE 00779	DRAWING NO C-641143
2 PLC ± -		WEIGHT -	RESTRICTED TO -	
3 PLC ± 0.13 [.005]		CUSTOMER DRAWING	SCALE 8:1	SHEET 1 OF 1
4 PLC ± -			REV C1	
ANGLES ± -				
FINISH SEE TABLE				
MATERIAL 0.30 [.012] THK COPPER ALLOY				